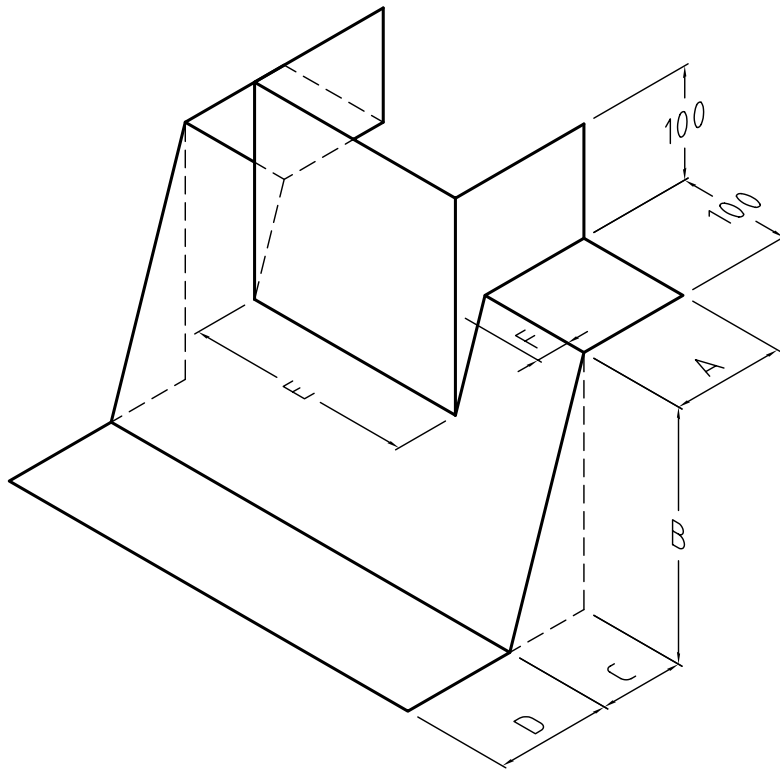


Detail Issued For Guidance Only,
Designer's Approval Required



Column Cloak :	
A (Inner)	
B (Rise)	
C (Cavity)	
D (Outer)	
E (Column Width)	
F (Col. Projection)	
Quantity	

ZEDEX	
GX	

NB; DO NOT SCALE - USE FIGURED DIMENSIONS ONLY.



Visqueen Building Products
Contact Technical Support :
t : 0333 202 6800
f : 0333 202 6886
e : enquiries@visqueenbuilding.co.uk
www.visqueenbuilding.co.uk

Project: Standard Detail : Preformed Column Cloak.

Drawing No.- PFU-128.

Date.- 03/08.

Scale.- NTS.

© COPYRIGHT
RESERVED.