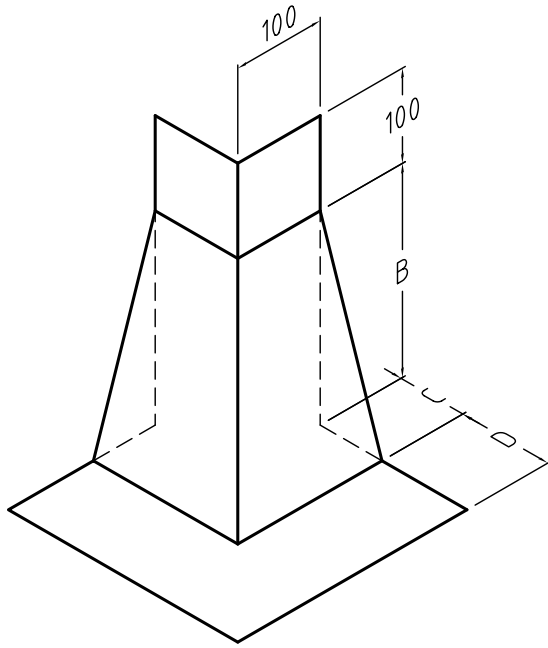
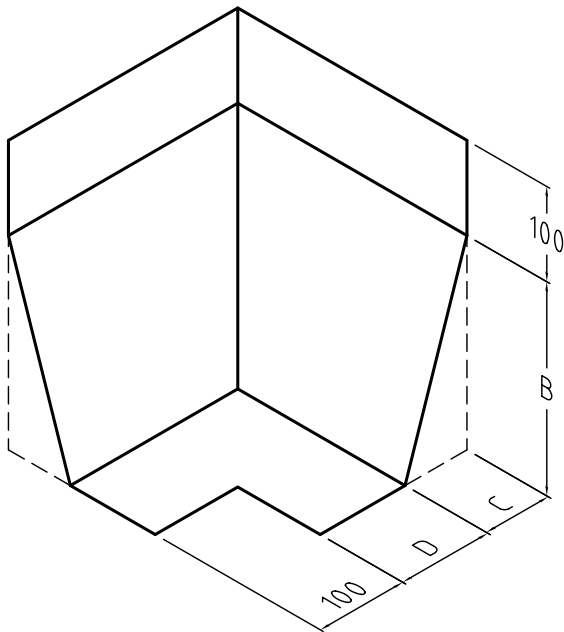


Detail Issued For Guidance Only,
Designer's Approval Required



External Corner Cloak :

B (Rise)	
C (Cavity)	
D (Outer)	
Angle	
Quantity	



Internal Corner Cloak :

B (Rise)	
C (Cavity)	
D (Outer)	
Angle	
Quantity	

NB; DO NOT SCALE - USE FIGURED DIMENSIONS ONLY.

ZEDEX	
GX	



Visqueen Building Products
Contact Technical Support :
t : 0333 202 6800
f : 0333 202 6886
e : enquiries@visqueenbuilding.co.uk
www.visqueenbuilding.co.uk

Project: Standard Detail : Preformed Corner Cloaks.

Drawing No.- PFU-110.

Date.- 03/08.

Scale.- NTS.

© COPYRIGHT RESERVED.