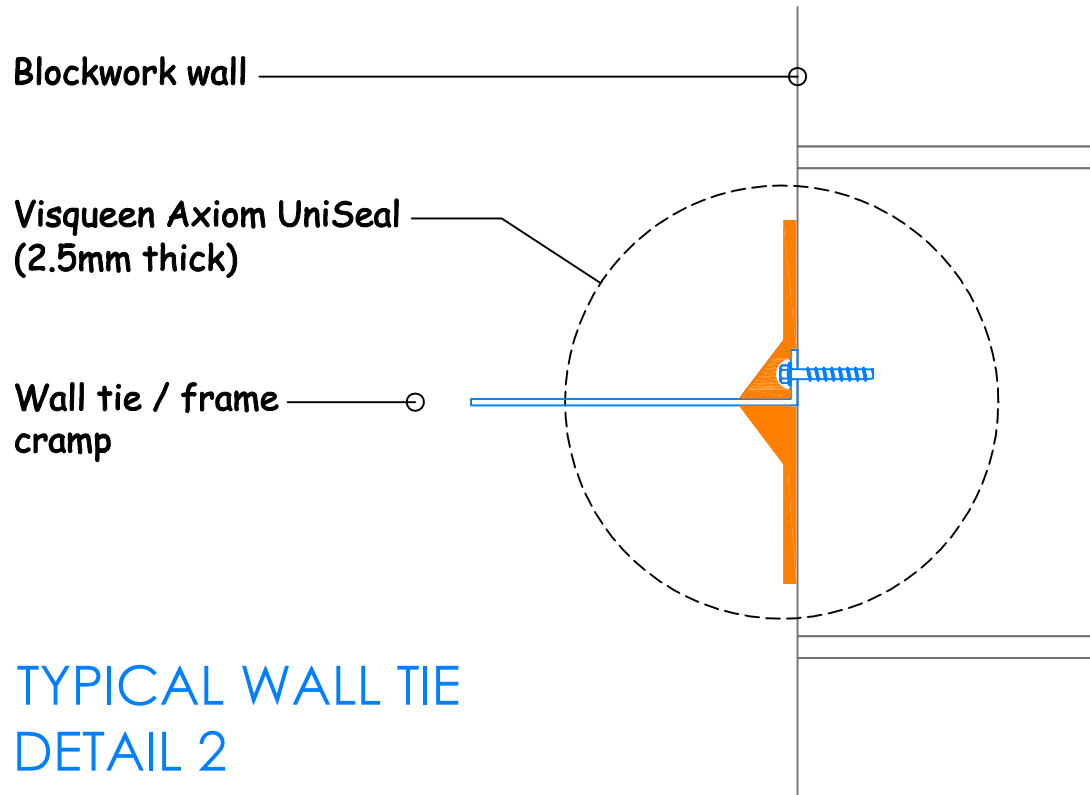


Detail is subject to SE approval

Detail Issued For Guidance Only,
Designer's Approval Required

Site construction sequencing should be assessed before the appropriate Visqueen Standard Detail is selected & approved by the Designer



NB ; DO NOT SCALE - USE FIGURED DIMENSIONS ONLY.



Visqueen Building Products
Contact Technical Support :
t : 0333 202 6800
f : 0333 202 6886
e : enquiries@visqueenbuilding.co.uk
www.visqueenbuilding.co.uk

Project: Standard Detail : Visqueen Axiom Liquid Membranes.

© COPYRIGHT RESERVED.

AX-05	Masonry Wall	Axiom UniSeal	-	Liquid Membrane
-------	--------------	---------------	---	-----------------

In order to develop a robust design for protecting a structure against groundwater, a risk assessment must be carried out in line with the guidance given in BS8102:2009

The designer may need to specify one or a combination of waterproofing measures